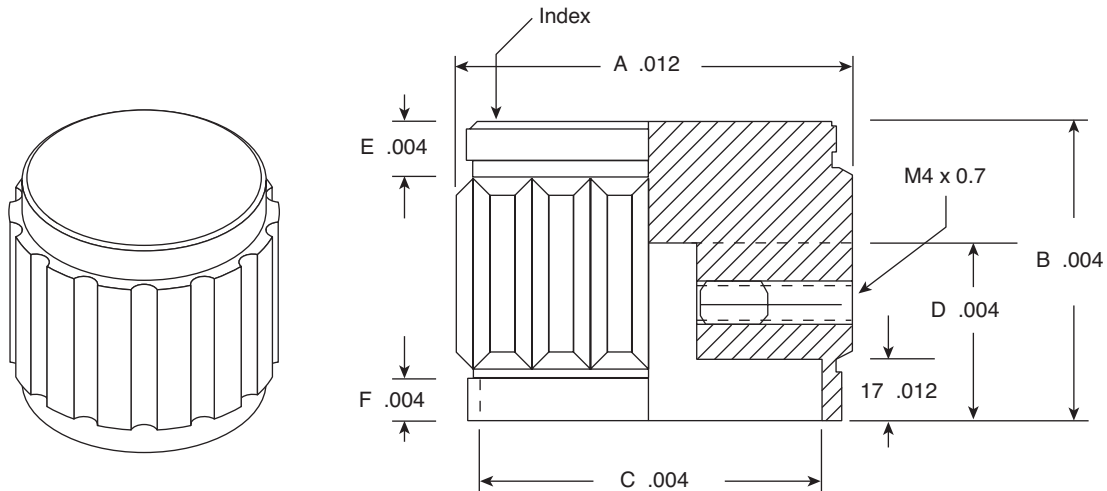


Date Last Revised: 10-20-05



Dimensions: In.

SPECIFICATIONS	
Material:	aluminum 997
Shaft hole:	.25 + .002
Dia. (IN):	A dimension
Height (IN):	B dimension
Inserts:	brass

Mouser Stock No.	Color	A	B	C	D	E	F	Knob Finish
45KN030	Aluminum	.787	.768	.591	.591	.142	.126	Clear Anodize
45KN031	Aluminum	.610	.650	.433	.571	.102	.102	Clear Anodize
45KN032	Aluminum	.874	.748	.591	.535	.150	.150	Clear Anodize
45KN033	Aluminum	1.181	.866	.984	.457	.169	.169	Clear Anodize
450-7030	Black	.787	.768	.591	.591	.142	.126	Black Anodize
450-7031	Black	.610	.650	.433	.571	.102	.102	Black Anodize
450-7032	Black	.874	.748	.591	.535	.150	.150	Black Anodize

Available from Mouser Electronics
1-800-346-6873
www.mouser.com

EPD-200015